

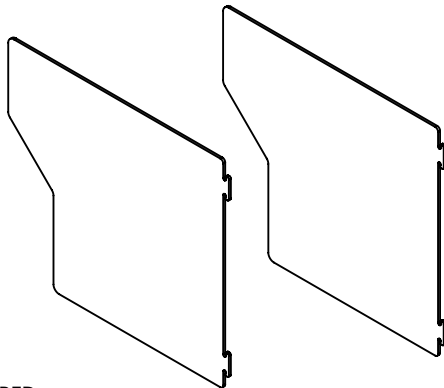
School Desk Shield

ASSEMBLY INSTRUCTIONS

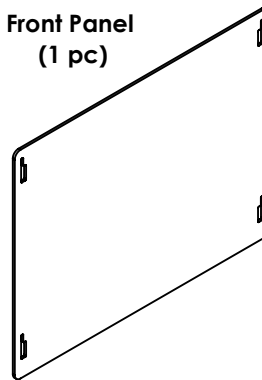
READ ALL INSTRUCTIONS BEFORE YOU BEGIN. DO NOT JUMP AHEAD OF ANY STEP.

PARTS LIST:

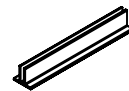
Side Panel
(2 pcs)



Front Panel
(1 pc)



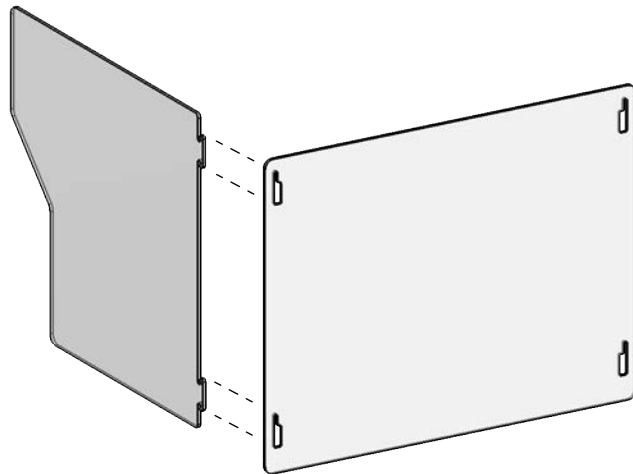
T Shaped
Gripper
Connector
(3 pcs)



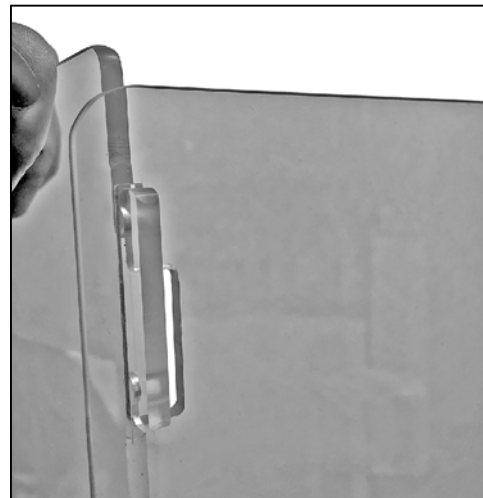
*NO TOOLS REQUIRED

STEP 1: Peel off the protective plastic film from both sides of Side Panels and Front Panel.

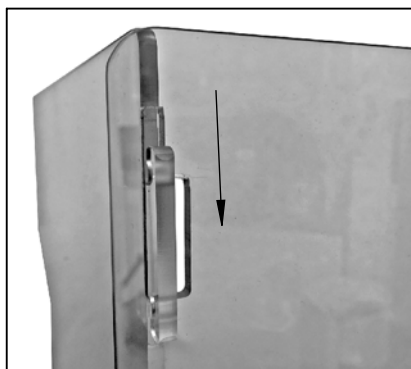
STEP 2: Stand Front Panel up on flat surface, and align the hooks on one of the Side Panels with the corresponding slots on Front Panel.



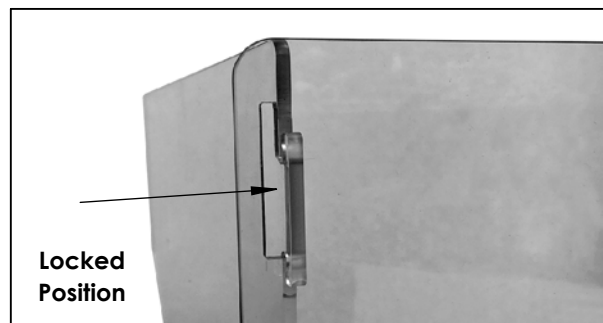
STEP 3: Insert hooks of Side Panel into the largest opening in slots on Front Panel.



STEP 4: Slide Side Panel down in slot until top of Side Panel and top of Front Panel are flush with each other.



STEP 5: Push Side Panel inward to lock in place.

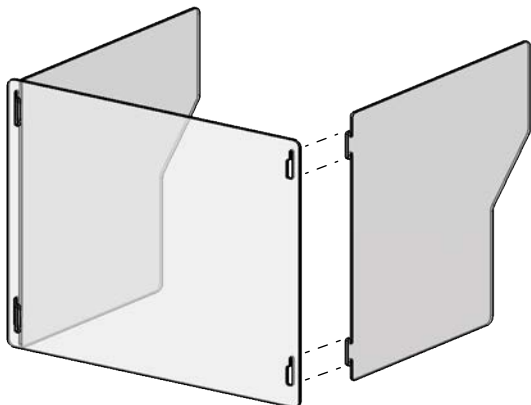


School Desk Shield

ASSEMBLY INSTRUCTIONS

READ ALL INSTRUCTIONS BEFORE YOU BEGIN. DO NOT JUMP AHEAD OF ANY STEP.

STEP 6: Repeat STEPS 3 - 5 to install remaining Side Panel on opposite side of Desk Shield.

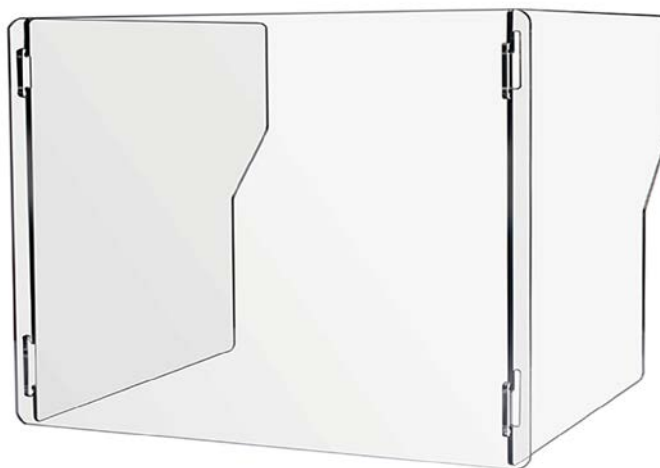
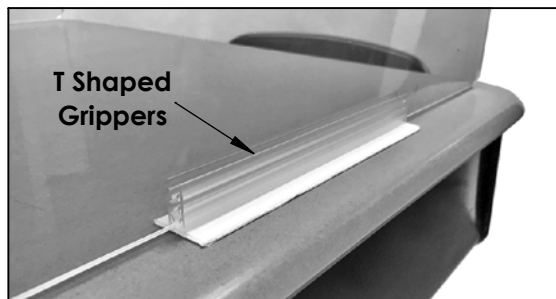


ASSEMBLY COMPLETED

NOTE: Use the adhesive-backed T Shaped Gripper Connectors (included) to attach barrier securely to desktop. Install one on the bottom edge of each panel.



To ensure proper adhesion of T Grippers to mounting surface, clean the area where the tape will be applied and make sure it is dry prior to mounting Shield.



13701 / 13702 / 13703